

Manual Alarm Call Points

MEDC provide a range of manual alarm call points specifically designed for the purpose of raising an alarm in the case of an emergency in a hazardous area.

The call points can be made from a selection of materials depending on project specification, including glass reinforced polyester (GRP), a light weight and corrosion free material, allowing easy installation and low maintenance cost, and stainless steel, a heavy duty, long wearing material with an increased life span.

All of MEDC's call points have an IP rating of 66/67 and can be certified to one of our worldwide accreditations, including ATEX and IECEx. There are also options for the inclusion of LED status indicators and addressable location (or address) within the unit and many can be painted a variety of colours to the customer's specification.



Range Certifications

PRODUCT	ATEX	IECEX	UL	ULC	CSA	Inmetro	CUTR	CQST	ABS	SIL	IP Rating	Page
Manual Alarm Call Points												
SM87 PB	■	■	■	■	■	■	■	■		■	66 / 67	14
SM87 BG	■	■	■		■	■	■	■			66 / 67	14
PH1	■	■	■								66 / 67	16
PB	■	■	■		■	■	■	■	■	■	66 / 67	18
BG	■	■	■			■	■	■	■	■	66 / 67	20
BG2	■										66 / 67	22
BG3	■							■			66 / 67	24



SM87 PB



SM87 BG



PH1



PB



BG



BG2



BG3

Ex d, Intrinsically Safe (Ex ia), Weatherproof



Features

- Zone 0, Zone 1 and Zone 2 use*.
- Ex d IIC T5/T6 or Ex ia IIC T4.
- ATEX approved, Ex II 1G (Ex ia) Ex II 2GD (Ex d).
- BASEEFA certified.
- UL listed for USA and Canada (PB only), Class I, Div 1, Groups C & D.
- ULC certified for Class I, Zone 1 Groups C & D.
- CSA certified.
- IECEx certified Gb, Db.
- CUTR certified.
- Chinese (CQST) certified.
- Brazilian (Inmetro) certified.
- SIL 2 pending. (Contact MEDC for details).
- IP66 and IP67.
- Certified temperature: -55°C to +70°C*.
- Stainless steel or marine grade alloy.
- Robust yet lightweight.
- Easy to maintain.

*Model dependent.

Introduction

These manual fire alarm, emergency shutdown break-glass and pushbutton units have been designed for the most arduous environmental conditions. The units are both easy to install and maintain. Intrinsically safe Ex ia and flameproof Ex d versions of each model are available.

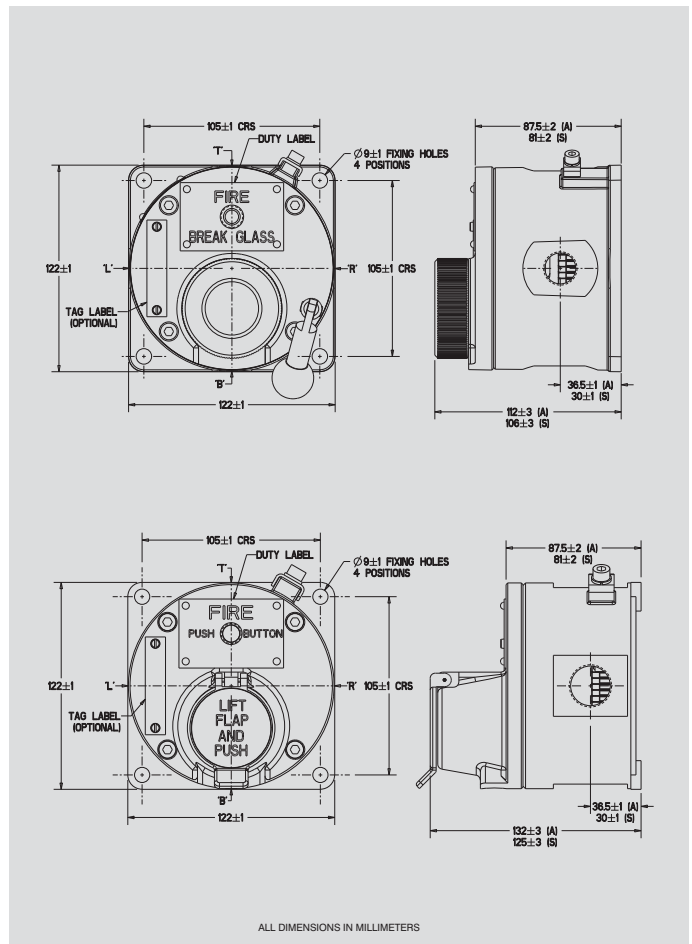
A choice of either stainless steel or alloy makes the range suitable for either the offshore or onshore industries. Stainless steel, one of the most durable materials available on the market, is both hard wearing and corrosion resistant, increasing the life of products in harsh environments and therefore reducing maintenance costs.

Stainless steel, one of the most durable materials available on the market, is both hard wearing and corrosion resistant, increasing the life of products in harsh environments and therefore reducing maintenance costs.



Certification and Specification

ATEX Ex d:	Cert. no. Baseefa03ATEX0075. ATEX Approved Ex II 2GD. Certified to: EN60079-0, EN60079-1, EN60079-31. Ex d IIC T5/T6 Gb, Ex tb IIIC T85°C/T100°C Db. IP66/IP67.
ATEX Ex ia:	Cert no. Baseefa 02ATEX0152X. ATEX Approved Ex II 1G. Certified to: EN60079-0, EN60079-11, EN60079-26. Ex ia IIC T4 Ga.
IECEX Ex d:	Cert. no. IECEX BAS 09.0060. Certified to: EN60079-0, EN60079-1, EN60079-31. Ex d IIC T5/T6 Gb, Ex tb IIIC T85°C/T100°C Db. IP66/IP67.
IECEX Ex ia:	Cert. no. IECEX BAS 10.0033X. Certified to: IEC60079-0, IEC60079-11, IEC60079-26. Ex ia IIC T4 Ga.
UL:	Listing no. E186629. UL listed to Class 1, Div 1. Groups C & D. (SM87PBL).
ULC:	Cert. no. 20091023-E320282. ULC certified for Class I, Zone 1 Groups C & D.
CSA Ex d:	Class 1, Div 1 & 2. Group D.
CSA Ex ia:	Class 1, Div 1 & 2. Groups A-D.
CUTR Ex d: ‡	1Ex d IIC T5/T6 Gb, Ex tb IIIC T85°C/T100°C Db. IP66/IP67. Russian Fire Approved.
CUTR Ex ia: ‡	0Ex ia IIC T4 Ga. Russian Fire Approved.
Inmetro Ex d:	Ex d IIC T5/T6 Gb.
Inmetro Ex ia:	Ex ia IIC T4 Ga.
CQST Exd:	Exd IIC T85°C/T100°C.
CQST Exia:	Exia IIC T4.
SIL:	SIL2 certification pending. Please contact MEDC for details.
Material:	Grade 316 ANC4B Stainless Steel or LM 25 TF Marine Grade Alloy.
Finish:	Paint finish as standard or to customer specification.
Voltage:	Exd 24V a.c./d.c. Exia 28V.
Rating:	2 amp.
Switches	2 pole c/o, wired to terminals. Optional up to 4 pole (UL version 2 pole only).
Optional Indicator:	A red high intensity LED can be fitted for alarm indication.
Certified Temp:	Exd* -55°C to +70°C. Exi* -55°C to +60°C. -20°C to +55°C (LED version only). UL -40°C to +70°C, -20°C to +55°C (LED version only). CSA -50°C to +55°C (Exd), -50°C to +40°C (Exi). *Note: includes ATEX, IECEX, CUTR, Brazilian & Chinese versions.
Weight:	3-8 kg. steel (approx.) or 2.5 kg. alloy (approx).
Ingress Protection:	IP66 and IP67. SM87 PB IP68 (40m for 8 hours).
Entries:	Up to 4 x M20 or M25 ISO Ex d/Ex ia. Up to 4 x 1/2" or 3/4" NPT UL.
Terminals:	Will accept up to 2.5mm ² cable.
Resistor Values:	470R minimum (d.c. & I.S. units only).



Both the Exia units and the Exd units have the same external appearance. Also the internal components are identical throughout the range. Each unit can be wired for either NO, NC or CO contacts to customer specification.

Ordering Requirements

The following code is designed to help in selection of the correct unit. Build up the reference number by inserting the code for each component into the appropriate box.

Unit	Model	Material	Certification	Entries	Duty Label	Tag Label	Options	Finish																																																																																																																	
SM87																																																																																																																									
<table border="1"> <thead> <tr> <th>*Model</th> <th>Code</th> </tr> </thead> <tbody> <tr> <td>Breakglass Latching</td> <td>BGL</td> </tr> <tr> <td>Lift Flap Breakglass Latching</td> <td>LBGL</td> </tr> <tr> <td>Push Button Latching key reset</td> <td>PBL</td> </tr> <tr> <td>Push Button Only</td> <td>PBM</td> </tr> <tr> <td>Momentary Action</td> <td></td> </tr> </tbody> </table> <p>* UL version only available in PBL model.</p>		*Model	Code	Breakglass Latching	BGL	Lift Flap Breakglass Latching	LBGL	Push Button Latching key reset	PBL	Push Button Only	PBM	Momentary Action		<table border="1"> <thead> <tr> <th>Certification</th> <th>Code</th> </tr> </thead> <tbody> <tr> <td>Ex ia</td> <td>I</td> </tr> <tr> <td>Ex d</td> <td>D</td> </tr> <tr> <td>IECEX Ex i</td> <td>IJ</td> </tr> <tr> <td>IECEX Ex d</td> <td>DJ</td> </tr> <tr> <td>UL</td> <td>UL</td> </tr> <tr> <td>ULC</td> <td>UC</td> </tr> <tr> <td>CSA - Ex i</td> <td>IC</td> </tr> <tr> <td>CSA - Ex d</td> <td>DC</td> </tr> <tr> <td>CUTR Ex i</td> <td>IG</td> </tr> <tr> <td>CUTR Ex d</td> <td>DG</td> </tr> <tr> <td>Chinese Ex i</td> <td>IQ†</td> </tr> <tr> <td>Chinese Ex d</td> <td>DQ†</td> </tr> <tr> <td>Inmetro Ex i</td> <td>IM</td> </tr> <tr> <td>Inmetro Ex d</td> <td>DM</td> </tr> </tbody> </table> <p>* Russian Fire Approval as standard. † Not suitable for use in China on fire alarm systems.</p>		Certification	Code	Ex ia	I	Ex d	D	IECEX Ex i	IJ	IECEX Ex d	DJ	UL	UL	ULC	UC	CSA - Ex i	IC	CSA - Ex d	DC	CUTR Ex i	IG	CUTR Ex d	DG	Chinese Ex i	IQ†	Chinese Ex d	DQ†	Inmetro Ex i	IM	Inmetro Ex d	DM	<table border="1"> <thead> <tr> <th>Entries</th> <th>Code</th> </tr> </thead> <tbody> <tr> <td>M20</td> <td>1</td> </tr> <tr> <td>M25</td> <td>2</td> </tr> <tr> <td>1/2" NPT</td> <td>3</td> </tr> <tr> <td>3/4" NPT</td> <td>4</td> </tr> <tr> <td>Other</td> <td>5</td> </tr> </tbody> </table> <table border="1"> <thead> <tr> <th>Position</th> <th>Code</th> </tr> </thead> <tbody> <tr> <td>Top</td> <td>*T</td> </tr> <tr> <td>Bottom</td> <td>*B</td> </tr> <tr> <td>RHS</td> <td>*R</td> </tr> <tr> <td>LHS</td> <td>*L</td> </tr> </tbody> </table> <p>* Prefix position with size code i.e. 1T 1B = 20mm Top and Bottom.</p>		Entries	Code	M20	1	M25	2	1/2" NPT	3	3/4" NPT	4	Other	5	Position	Code	Top	*T	Bottom	*B	RHS	*R	LHS	*L	<table border="1"> <thead> <tr> <th>Duty Label</th> <th>Code</th> </tr> </thead> <tbody> <tr> <td>Fire-Breakglass</td> <td>1</td> </tr> <tr> <td>Push Button</td> <td>2</td> </tr> <tr> <td>Fire-Push Button</td> <td>3</td> </tr> <tr> <td>ESDO-Abandon</td> <td>4</td> </tr> <tr> <td>Other</td> <td>0*</td> </tr> <tr> <td>None</td> <td>N</td> </tr> </tbody> </table> <p>* Please specify.</p>		Duty Label	Code	Fire-Breakglass	1	Push Button	2	Fire-Push Button	3	ESDO-Abandon	4	Other	0*	None	N	<table border="1"> <thead> <tr> <th>Options</th> <th>Code</th> </tr> </thead> <tbody> <tr> <td>Not required</td> <td>N</td> </tr> <tr> <td>LED</td> <td>A</td> </tr> <tr> <td>Resistor Series</td> <td>G*</td> </tr> <tr> <td>Resistor EOL</td> <td>H*</td> </tr> <tr> <td>Diode</td> <td>D*</td> </tr> <tr> <td>3 Pole</td> <td>T</td> </tr> <tr> <td>c/o Switch</td> <td></td> </tr> <tr> <td>4 Pole</td> <td>F</td> </tr> <tr> <td>c/o Switch</td> <td></td> </tr> </tbody> </table> <p>* Please specify.</p>		Options	Code	Not required	N	LED	A	Resistor Series	G*	Resistor EOL	H*	Diode	D*	3 Pole	T	c/o Switch		4 Pole	F	c/o Switch		<table border="1"> <thead> <tr> <th>Finish</th> <th>Code</th> </tr> </thead> <tbody> <tr> <td>Red</td> <td>R</td> </tr> <tr> <td>Blue</td> <td>B</td> </tr> <tr> <td>Yellow</td> <td>Y</td> </tr> <tr> <td>Yellow/Black Stripes</td> <td>X</td> </tr> <tr> <td>Special</td> <td>S*</td> </tr> </tbody> </table> <p>* Please specify.</p>		Finish	Code	Red	R	Blue	B	Yellow	Y	Yellow/Black Stripes	X	Special	S*
*Model	Code																																																																																																																								
Breakglass Latching	BGL																																																																																																																								
Lift Flap Breakglass Latching	LBGL																																																																																																																								
Push Button Latching key reset	PBL																																																																																																																								
Push Button Only	PBM																																																																																																																								
Momentary Action																																																																																																																									
Certification	Code																																																																																																																								
Ex ia	I																																																																																																																								
Ex d	D																																																																																																																								
IECEX Ex i	IJ																																																																																																																								
IECEX Ex d	DJ																																																																																																																								
UL	UL																																																																																																																								
ULC	UC																																																																																																																								
CSA - Ex i	IC																																																																																																																								
CSA - Ex d	DC																																																																																																																								
CUTR Ex i	IG																																																																																																																								
CUTR Ex d	DG																																																																																																																								
Chinese Ex i	IQ†																																																																																																																								
Chinese Ex d	DQ†																																																																																																																								
Inmetro Ex i	IM																																																																																																																								
Inmetro Ex d	DM																																																																																																																								
Entries	Code																																																																																																																								
M20	1																																																																																																																								
M25	2																																																																																																																								
1/2" NPT	3																																																																																																																								
3/4" NPT	4																																																																																																																								
Other	5																																																																																																																								
Position	Code																																																																																																																								
Top	*T																																																																																																																								
Bottom	*B																																																																																																																								
RHS	*R																																																																																																																								
LHS	*L																																																																																																																								
Duty Label	Code																																																																																																																								
Fire-Breakglass	1																																																																																																																								
Push Button	2																																																																																																																								
Fire-Push Button	3																																																																																																																								
ESDO-Abandon	4																																																																																																																								
Other	0*																																																																																																																								
None	N																																																																																																																								
Options	Code																																																																																																																								
Not required	N																																																																																																																								
LED	A																																																																																																																								
Resistor Series	G*																																																																																																																								
Resistor EOL	H*																																																																																																																								
Diode	D*																																																																																																																								
3 Pole	T																																																																																																																								
c/o Switch																																																																																																																									
4 Pole	F																																																																																																																								
c/o Switch																																																																																																																									
Finish	Code																																																																																																																								
Red	R																																																																																																																								
Blue	B																																																																																																																								
Yellow	Y																																																																																																																								
Yellow/Black Stripes	X																																																																																																																								
Special	S*																																																																																																																								
<table border="1"> <thead> <tr> <th>*Material</th> <th>Code</th> </tr> </thead> <tbody> <tr> <td>Stainless Steel</td> <td>S</td> </tr> <tr> <td>Alloy</td> <td>A</td> </tr> </tbody> </table> <p>* UL version only available in Alloy.</p>		*Material	Code	Stainless Steel	S	Alloy	A	<table border="1"> <thead> <tr> <th>Label</th> <th>Code</th> </tr> </thead> <tbody> <tr> <td>Required</td> <td>Y*</td> </tr> <tr> <td>Not Required</td> <td>N</td> </tr> </tbody> </table> <p>* Please specify.</p>		Label	Code	Required	Y*	Not Required	N																																																																																																										
*Material	Code																																																																																																																								
Stainless Steel	S																																																																																																																								
Alloy	A																																																																																																																								
Label	Code																																																																																																																								
Required	Y*																																																																																																																								
Not Required	N																																																																																																																								

All specifications, dimensions, weights and tolerances are nominal (typical) and MEDC reserve the right to vary all data without prior notice. No liability is accepted for any consequence of use.



Exd, UL Hazardous & Ordinary Locations



Introduction

The PH1 double action pull handle call point has been designed for use in flammable atmospheres and harsh environmental conditions. The GRP enclosure is suitable for use offshore or onshore where light weight combined with a high level of corrosion resistance is required.

The large "Lift" and "Pull" GRP handles can be operated effortlessly whilst wearing industrial gloves and require double action to raise the alarm, preventing accidental activation.

Features

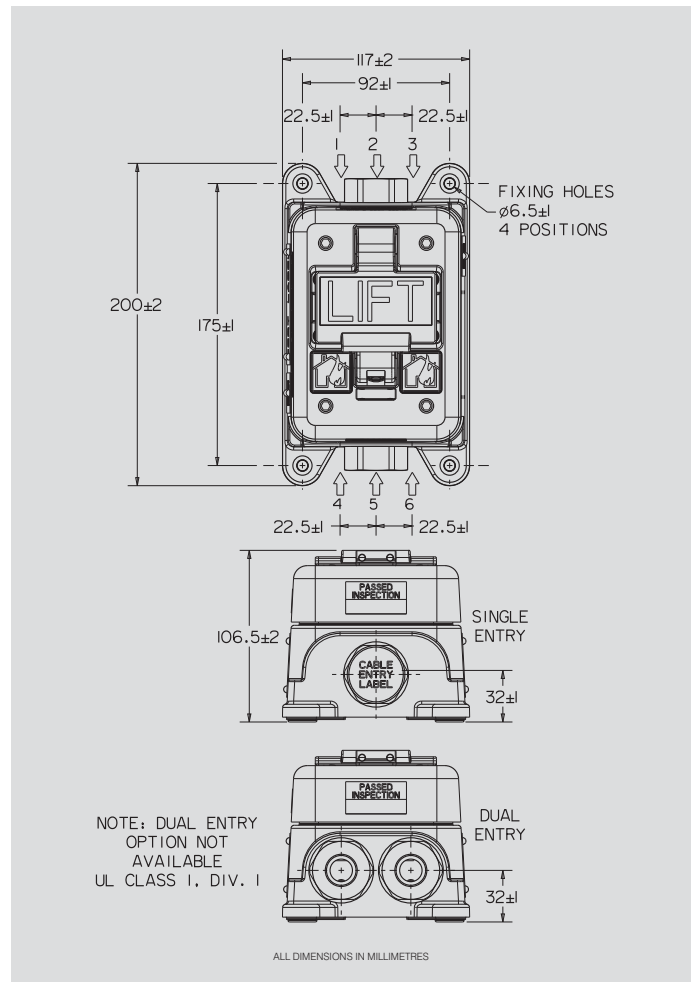
- Zone 1 and Zone 2 use.
- UL Listed for:
 - Hazardous Locations.
 - Class I, Division 1. Groups B, C & D.
 - Class I, Division 2. Groups A-D.
 - Zone 1.
 - Ordinary Locations: Fire alarm boxes.
- Ex d IIC T6 Gb.
- Ex tb IIIC T85°C Db.
- IECEx certified Gb, Db.
- ATEX certified Ex II 2 GD.
- NEMA 4X & 6. IP66 & IP67.
- Certified temperature: -55°C to +70°C*.
- Corrosion free GRP construction.*
- Optional in line, end of line resistors and diodes.
- Retained stainless steel cover screws.

*Model dependent.



Certification and Specification

UL Haz Locs:	UL listed for USA and Canada. Listing no. E186629. Class I, Div. 1. Groups B, C & D. Class I, Div. 2. Groups A-D. Class I, Zone 1, AEx d IIC, Ex d IIC. Class II, Div.2, Groups F & G. Class III.
UL Ord Locs:	UL Listing no. S8117. Fire alarm boxes. UL for USA and Canada.
IECEX Ex d:	Cert. no. IECEX ITS.11.0021X. Certified to: IEC60079-0, IEC60079-1, IEC60079-31. Ex d IIC T6 Gb, Ex tb IIIC T85°C Db. IP66.
ATEX Ex d:	Cert. no. ITS11ATEX17308X. Certified to: EN60079-0, EN60079-1, EN60079-31. Ex II 2 GD, Ex d IIC T6 Gb, Ex tb IIIC T85°C Db. IP66.
Material:	Body/covers/handles:- GRP (glass reinforced polyester). UL Class I, Div. 1 Inner Cover: 316 (ANC4B) Stainless Steel. Fixings:- Stainless steel grade 316.
Finish:	Cover:- natural red, Body:- natural black. Handles:- natural white. Cover may be painted to customer's requirements.
Voltage:	0-50Vdc, 0-254Vac.
Switch Rating:	1 or 2 c/o switches, 254V, 3A max.
Weight:	UL Class I, Div 2, ATEX, IECEX & UW: Gross weight 3.2Kg. Net weight 2.6Kg. UL Class I, Div. 1: Gross weight 4.4 Kg. Net weight 3.8Kg.
Certified Temp:	ATEX & IECEX: -55°C to +70°C. UL Class I, Divs. 1 & 2, UW: -50°C to +70°C
Ingress Protection:	NEMA 4X & 6. IP66 & IP67.
Entries:	UL Class I, Div. 1 - Max 1 per face. Up to 2 x 1/2" NPT or 3/4" NPT. Positions 2 & 5 only. UL Class I, Div. 2, UW: Up to 2 x 1/2" or 3/4" NPT, 3/4" NPT, Max. 1 per face & positions 2 & 5 only. ATEX, IECEX - Max 2 per face. Up to 2 x M20 or M25, up to 2 x 1/2" or 3/4" NPT. Please note that certified blanking plugs cannot be fitted to this product.
Terminals:	6 x 2.5mm ² as standard. Contact MEDC for options.
Earth Continuity:	Earth continuity is provided by internal plate.
Duty Labels:	'Burning house' label fitted as standard on red units. Red blank duty label fitted as standard on all other colour units, unless text is supplied by customer. Tag Label: worded to customers requirements.
Addr. module:	Consult MEDC for options.
Resistors:	Various configurations available, 470 Ohms minimum.
Diodes:	Various configurations available.



Ordering Requirements

The following code is designed to help in selection of the correct unit. Build up the reference number by inserting the code for each component into the appropriate box.

Model	Certification	Entries	Switches	Features	Finish																																																		
PH1																																																							
	<table border="1"> <thead> <tr> <th>Certification</th> <th>Code</th> </tr> </thead> <tbody> <tr><td>UL Class I, Div. 1</td><td>UL1</td></tr> <tr><td>UL Class I, Div. 2</td><td>UL2</td></tr> <tr><td>UL Ord. Loc.</td><td>UW</td></tr> <tr><td>ATEX</td><td>B</td></tr> <tr><td>IECEX</td><td>J</td></tr> <tr><td>Weatherproof</td><td>W</td></tr> </tbody> </table>	Certification	Code	UL Class I, Div. 1	UL1	UL Class I, Div. 2	UL2	UL Ord. Loc.	UW	ATEX	B	IECEX	J	Weatherproof	W	<table border="1"> <thead> <tr> <th>Entries</th> <th>Code</th> </tr> </thead> <tbody> <tr><td>M20</td><td>*B</td></tr> <tr><td>M25</td><td>*C</td></tr> <tr><td>1/2" NPT</td><td>*†M</td></tr> <tr><td>3/4" NPT</td><td>*†N</td></tr> </tbody> </table>	Entries	Code	M20	*B	M25	*C	1/2" NPT	*†M	3/4" NPT	*†N	<table border="1"> <thead> <tr> <th>Switches</th> <th>Code</th> </tr> </thead> <tbody> <tr><td>Single changeover</td><td>S</td></tr> <tr><td>Double changeover</td><td>D</td></tr> </tbody> </table>	Switches	Code	Single changeover	S	Double changeover	D	<table border="1"> <thead> <tr> <th>Features</th> <th>Code</th> </tr> </thead> <tbody> <tr><td>None</td><td>N</td></tr> <tr><td>Series resistor</td><td>G*</td></tr> <tr><td>EOL resistor</td><td>H*</td></tr> <tr><td>Diode</td><td>E*</td></tr> <tr><td>Tag label</td><td>T*</td></tr> <tr><td>Custom duty label</td><td>D*†</td></tr> </tbody> </table>	Features	Code	None	N	Series resistor	G*	EOL resistor	H*	Diode	E*	Tag label	T*	Custom duty label	D*†	<table border="1"> <thead> <tr> <th>Finish</th> <th>Code</th> </tr> </thead> <tbody> <tr><td>Natural Red</td><td>R</td></tr> <tr><td>Special</td><td>S*</td></tr> </tbody> </table>	Finish	Code	Natural Red	R	Special	S*
Certification	Code																																																						
UL Class I, Div. 1	UL1																																																						
UL Class I, Div. 2	UL2																																																						
UL Ord. Loc.	UW																																																						
ATEX	B																																																						
IECEX	J																																																						
Weatherproof	W																																																						
Entries	Code																																																						
M20	*B																																																						
M25	*C																																																						
1/2" NPT	*†M																																																						
3/4" NPT	*†N																																																						
Switches	Code																																																						
Single changeover	S																																																						
Double changeover	D																																																						
Features	Code																																																						
None	N																																																						
Series resistor	G*																																																						
EOL resistor	H*																																																						
Diode	E*																																																						
Tag label	T*																																																						
Custom duty label	D*†																																																						
Finish	Code																																																						
Natural Red	R																																																						
Special	S*																																																						

NOTE: the units can be internally wired to suit customers specifications. Please discuss your requirements with us.

* Prefix entry size with entry position (see diagram above).
E.g. 4B6B. Maximum 2 Entries.

† UL Class 1, Div. 1 - Max 1 per face. Up to 2x 1/2" NPT or 3/4" NPT.
Positions 2 & 5 only.
UW: Up to 2 x 1/2" or 3/4" NPT.
3/4" NPT, Max. 1 per face & positions 2 & 5 only.

* Please specify.

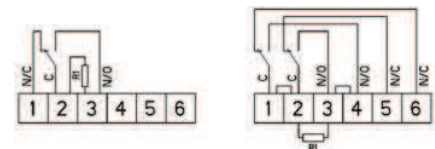
† Only select if non standard option is required.

Please note that certified blanking plugs cannot be fitted to this product.

Standard wiring - switch only.

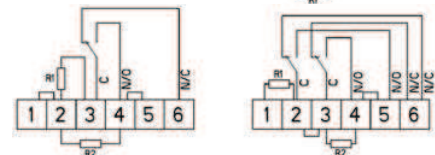


Standard wiring - c/w EOL resistor.



R1 - EOL Resistor.

Standard wiring - c/w series resistor or series & EOL resistor.



R1 - Series Resistor.

R2 - EOL Resistor (if fitted).

Ex de, Intrinsically Safe (Ex ia), Weatherproof PB Range



Introduction

These new and improved manual alarm call points have been designed for use in hazardous locations and harsh environmental conditions. The GRP enclosure is suitable for use onshore or offshore where light weight combined with a high level of corrosion resistance is required. The unit is now supplied with a lift flap that latches firmly in place.

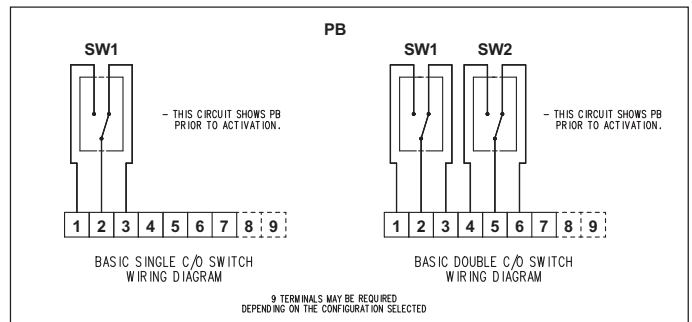
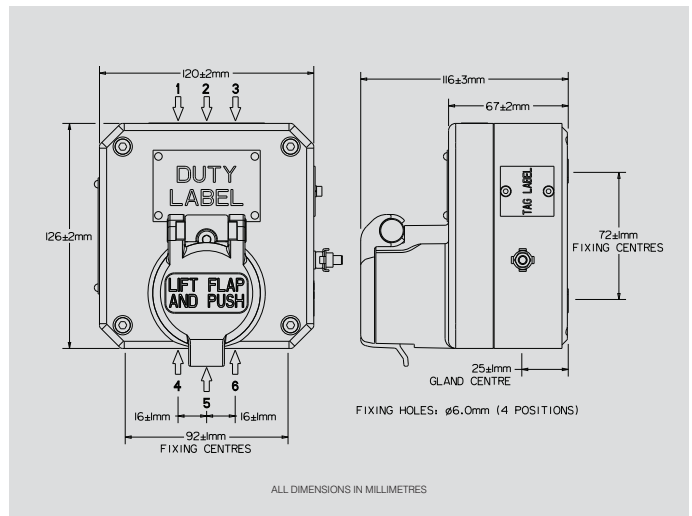
Features

- ATEX certified.
- IECEx certified.
- UL listed for Haz locs.
- UL listing for Ord locs.
- CUTR certified.
- Chinese (CQST) certified.
- Brazilian (Inmetro) certified.
- SIL 2 pending. (Contact MEDC for details).
- IP66 and IP67.
- Corrosion free GRP construction.
- A variety of colours available.
- Up to 9 terminals available.
- Optional LED – indicates that the unit has been operated.
- Earth continuity option for metal glands.
- 1 or 2 changeover switches.
- Captive cover screws.
- Lift Flap as standard.
- Latching as standard. Self reset (momentary) available.



Certification and Specification

ATEX Ex de:	Cert. no. BAS02ATEX2105X. ATEX Approved Ex II 2GD. EN60079-0, EN60079-1, EN60079-7, EN60079-31. Ex de IIC T6 Gb, Ex tb IIIC T85°C Db switch only. Ex de mb IIC T6 Gb, Ex tb IIIC T85°C Db with LED. Ex de mb IIC T4 Gb, Ex tb IIIC T135°C Db with resistors & diodes.
ATEX Ex ia:	Cert no. Baseefa 03ATEX0084X. ATEX Approved Ex II 1GD Certified to: EN60079-0, EN60079-11. Ex ia IIC T4 Ga, Ex ia IIIC T135°C Da.
IECEX Ex ia:	Cert. no. IECEX BAS 12.0093X. Certified to: IEC 60079-0, IEC 60079-11. Ex ia IIC T4 Ga, Ex ia IIIC T135°C Da.
UL:	Listing no. E186629 UL listed to Class 1, Div 2. Groups A – D. UL listed for Ordinary Locations. Listing no. S8117
CSA:	Cert. no. 79120-3. Class 1 groups A, B, C & D.
CUTR Ex de: ‡	2Exed IICT6 (switch only), 2Exemd IICT4 (other versions). Russian Fire Approved.
CUTR Ex ia: ‡	0Exia IICT4. Russian Fire Approved.
Inmetro Exe:	Ex de mb IIC T4 Gb, Ex de IIC T6 Gb.
Inmetro Exia:	Ex ia IIC T4 Ga.
CQST Exe:	Exed IICT6 (switch only), Exedm IICT4 (other versions).
CQST Exia:	Exia IIC T4.
Type Apps:	American Bureau of Shipping type approval (ABS) PBI only.
SIL:	SIL 2 certification pending. Please contact MEDC for details.
Material:	Anti-static UV resistant glass reinforced polyester.
Finish:	Red painted finish as standard or to customer specification.
Voltage:	Up to 254V a.c. Up to 28V d.c.
Weight:	1.2 kg. (Varies with models and entries).
Ingress Protection:	IP66 & IP67.
Entries:	Up to 4 entries, M16 or M20 top and bottom (1/2" NPT available on UL version).
Terminals:	7 x 2.5mm ² – standard. 9 x 2.5mm ² optional – up to 60V only.
Resistors:	Various configurations available on versions up to 24V and all 'IS' versions. (Minimum Resistor value 100ΩPBE, 470ΩPBI).
Earth Continuity:	Internal and external earth continuity is provided with an optional earth plate.
LED Indication:	A high intensity red LED can be fitted as an optional extra to indicate operation on versions up to 24V and all 'IS' versions.
Labelling:	Duty label – worded to customers requirements. Riveted on. Tag label – worded to customers requirements. Screwed on.
Switch Ratings:	d.c. 0-30v 5A (resistive) or 3A (inductive) 30-50v 1A (resistive or inductive)
(1 or 2 changeover switches fitted)	a.c. 0-254V 5A (resistive or Inductive)



Temperature

Model	PBW	PBUL	PBE	PBI	CSA
	-40°C to +70°C	-25°C to +55°C†	-40°C to +70°C*	-40°C to +70°C	-50°C to +40°C

* -35°C to +70°C with LED, -20°C to +50°C for Inmetro.

† -25°C to +50°C With resistors or LED fitted.

Ordering Requirements

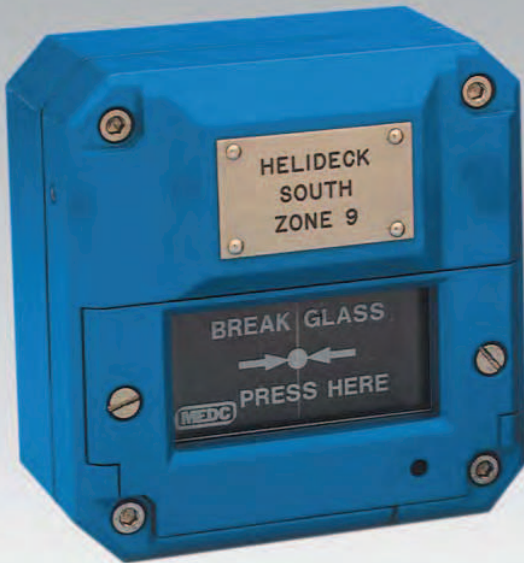
The following code is designed to help in selection of the correct unit. Build up the reference number by inserting the code for each component into the appropriate box.

Model	Certification	Entries	Labels	Voltage	Switches	Options	Terminals	Finish																																																											
PB																																																																			
<table border="1"> <thead> <tr> <th>Entries</th> <th>Code</th> </tr> </thead> <tbody> <tr> <td>M16</td> <td>*A</td> </tr> <tr> <td>M20</td> <td>*B</td> </tr> <tr> <td>1/2" NPT</td> <td>*C</td> </tr> </tbody> </table>		Entries	Code	M16	*A	M20	*B	1/2" NPT	*C	<table border="1"> <thead> <tr> <th>Label</th> <th>Code</th> </tr> </thead> <tbody> <tr> <td>None</td> <td>0</td> </tr> <tr> <td>Duty label reqd.</td> <td>4*</td> </tr> <tr> <td>Tag label reqd.</td> <td>5*</td> </tr> </tbody> </table> <p>* Specify wording on 4 or 5 as required.</p>		Label	Code	None	0	Duty label reqd.	4*	Tag label reqd.	5*	<table border="1"> <thead> <tr> <th>Switches</th> <th>Code</th> </tr> </thead> <tbody> <tr> <td>Single changeover</td> <td>S</td> </tr> <tr> <td>Double changeover</td> <td>D</td> </tr> </tbody> </table>		Switches	Code	Single changeover	S	Double changeover	D	<table border="1"> <thead> <tr> <th>Options</th> <th>Code</th> </tr> </thead> <tbody> <tr> <td>None</td> <td>N</td> </tr> <tr> <td>LED</td> <td>A</td> </tr> <tr> <td>Resistor series</td> <td>C*</td> </tr> <tr> <td>Resistor EOL</td> <td>D*</td> </tr> <tr> <td>Diode</td> <td>E†</td> </tr> <tr> <td>Earth continuity</td> <td>F**</td> </tr> <tr> <td>Turn and push</td> <td>T‡</td> </tr> <tr> <td>Self reset (momentary)</td> <td>M</td> </tr> <tr> <td>Resistor series and EOL</td> <td>S*†</td> </tr> </tbody> </table> <p>* Specify values ** Must be selected when selecting CSA certification. † Choose for PBE only - on the PBW, choose C & D. ‡ Not available for UL/CSA versions.</p>		Options	Code	None	N	LED	A	Resistor series	C*	Resistor EOL	D*	Diode	E†	Earth continuity	F**	Turn and push	T‡	Self reset (momentary)	M	Resistor series and EOL	S*†	<table border="1"> <thead> <tr> <th>Finish</th> <th>Code</th> </tr> </thead> <tbody> <tr> <td>Red (standard)</td> <td>R</td> </tr> <tr> <td>Natural Black</td> <td>N</td> </tr> <tr> <td>Blue</td> <td>B</td> </tr> <tr> <td>Yellow</td> <td>Y</td> </tr> <tr> <td>Grey</td> <td>G</td> </tr> <tr> <td>Yellow/Black stripes</td> <td>X</td> </tr> <tr> <td>Special</td> <td>S*</td> </tr> </tbody> </table> <p>* Please specify</p>		Finish	Code	Red (standard)	R	Natural Black	N	Blue	B	Yellow	Y	Grey	G	Yellow/Black stripes	X	Special	S*
Entries	Code																																																																		
M16	*A																																																																		
M20	*B																																																																		
1/2" NPT	*C																																																																		
Label	Code																																																																		
None	0																																																																		
Duty label reqd.	4*																																																																		
Tag label reqd.	5*																																																																		
Switches	Code																																																																		
Single changeover	S																																																																		
Double changeover	D																																																																		
Options	Code																																																																		
None	N																																																																		
LED	A																																																																		
Resistor series	C*																																																																		
Resistor EOL	D*																																																																		
Diode	E†																																																																		
Earth continuity	F**																																																																		
Turn and push	T‡																																																																		
Self reset (momentary)	M																																																																		
Resistor series and EOL	S*†																																																																		
Finish	Code																																																																		
Red (standard)	R																																																																		
Natural Black	N																																																																		
Blue	B																																																																		
Yellow	Y																																																																		
Grey	G																																																																		
Yellow/Black stripes	X																																																																		
Special	S*																																																																		
<table border="1"> <thead> <tr> <th>Certification</th> <th>Code</th> </tr> </thead> <tbody> <tr> <td>ATEX/CENELEC - Ex de</td> <td>EB</td> </tr> <tr> <td>ATEX/CENELEC - Ex ia</td> <td>IB</td> </tr> <tr> <td>IECEX - Ex ia</td> <td>IJ</td> </tr> <tr> <td>CSA - Exi</td> <td>IC</td> </tr> <tr> <td>UL - Listed</td> <td>UL</td> </tr> <tr> <td>UL - Ordinary Locations</td> <td>UW</td> </tr> <tr> <td>CUTR - Ex ia</td> <td>IG*</td> </tr> <tr> <td>CUTR Ex de</td> <td>EG*</td> </tr> <tr> <td>CQST - Ex ed</td> <td>EQ†</td> </tr> <tr> <td>CQST - Exi</td> <td>IQ†</td> </tr> <tr> <td>Inmetro - Ex ed</td> <td>EM</td> </tr> <tr> <td>Inmetro - Exi</td> <td>IM</td> </tr> <tr> <td>Uncertified</td> <td>WN</td> </tr> </tbody> </table> <p>* Prefix entry size (see diagram above) with entry position code e.g. 4B6B. UL versions only available with 1/2" NPT entries. * Russian Fire Approved as standard. † Not suitable for use in China on fire alarm systems.</p>		Certification	Code	ATEX/CENELEC - Ex de	EB	ATEX/CENELEC - Ex ia	IB	IECEX - Ex ia	IJ	CSA - Exi	IC	UL - Listed	UL	UL - Ordinary Locations	UW	CUTR - Ex ia	IG*	CUTR Ex de	EG*	CQST - Ex ed	EQ†	CQST - Exi	IQ†	Inmetro - Ex ed	EM	Inmetro - Exi	IM	Uncertified	WN	<table border="1"> <thead> <tr> <th>Voltage</th> <th>Code</th> </tr> </thead> <tbody> <tr> <td>a.c.</td> <td>A</td> </tr> <tr> <td>d.c.</td> <td>D</td> </tr> </tbody> </table>		Voltage	Code	a.c.	A	d.c.	D	<table border="1"> <thead> <tr> <th>Terminals</th> <th>Code</th> </tr> </thead> <tbody> <tr> <td>7 x 2.5mm (standard)</td> <td>7</td> </tr> <tr> <td>9 x 2.5mm (optional)</td> <td>9</td> </tr> </tbody> </table>		Terminals	Code	7 x 2.5mm (standard)	7	9 x 2.5mm (optional)	9																						
Certification	Code																																																																		
ATEX/CENELEC - Ex de	EB																																																																		
ATEX/CENELEC - Ex ia	IB																																																																		
IECEX - Ex ia	IJ																																																																		
CSA - Exi	IC																																																																		
UL - Listed	UL																																																																		
UL - Ordinary Locations	UW																																																																		
CUTR - Ex ia	IG*																																																																		
CUTR Ex de	EG*																																																																		
CQST - Ex ed	EQ†																																																																		
CQST - Exi	IQ†																																																																		
Inmetro - Ex ed	EM																																																																		
Inmetro - Exi	IM																																																																		
Uncertified	WN																																																																		
Voltage	Code																																																																		
a.c.	A																																																																		
d.c.	D																																																																		
Terminals	Code																																																																		
7 x 2.5mm (standard)	7																																																																		
9 x 2.5mm (optional)	9																																																																		

All specifications, dimensions, weights and tolerances are nominal (typical) and MEDC reserve the right to vary all data without prior notice. No liability is accepted for any consequence of use.



Ex de, Intrinsically Safe (Ex ia), Weatherproof BG Range



Features

- ATEX certified.
- IECEx certified.
- UL listed for Haz locs.
- UL listed for Ord locs
- CUPTR certified.
- Chinese (CQST) certified.
- Brazilian (Inmetro) certified.
- IP66 and IP67.
- Corrosion free GRP construction.
- SIL 2 certified.
- A variety of colours available.
- Up to 9 terminals available.
- Optional LED – indicates that the unit has been operated.
- Earth continuity option for metal glands.
- 1 or 2 changeover switches.
- Captive cover screws.
- Key operated test facility – simple but secure.
- Breakglass hammer available.

Introduction

These manual alarm Call Points have been designed for use in hazardous locations and harsh environmental conditions. The Glass Reinforced Polyester enclosures are suitable for use both onshore and offshore, where light weight combined with a high level of corrosion resistance is required.

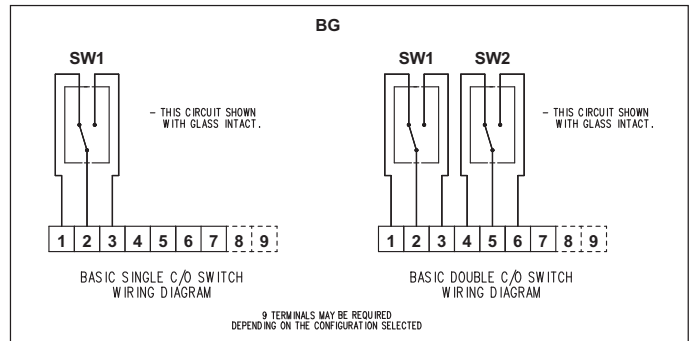
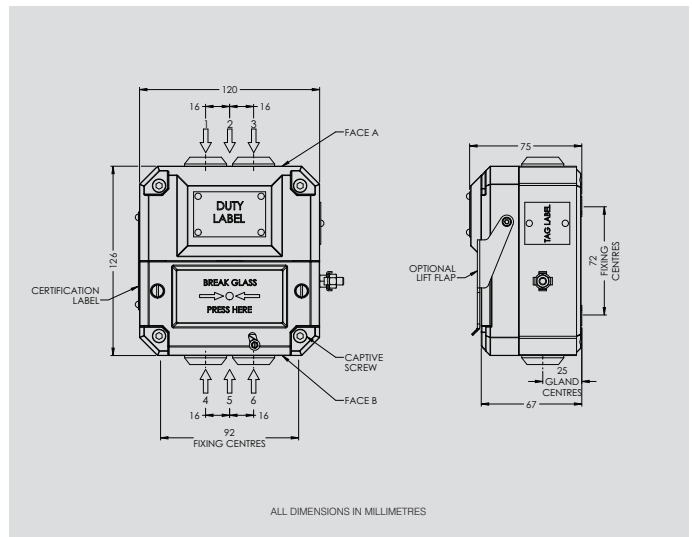
The break glass is covered by a membrane which protects the operator from glass fragments meaning that no hammer is required to activate the unit.

A plastic 'break glass' or deformable operating element is available to replace the break glass. Once the flexible element is pressed it will bend but will not break. The unit is reset by repositioning the element.



Certification and Specification

ATEX Ex de:	Cert. no. BAS02ATEX2105X. ATEX Approved Ex II 2G. Certified to: EN60079-0, EN60079-1, EN60079-7. Ex de IIC T6 Gb switch only. Ex de mb IIC T6 Gb with LED. Ex de mb IIC T4 Gb with resistors & diodes.
ATEX Ex ia:	Cert no. Baseefa 03ATEX0084X. ATEX Approved Ex II 1GD Certified to: EN60079-0, EN60079-11. Ex ia IIC T4 Ga, Ex ia IIIC T135°C Da.
IECEX Ex ia:	Cert. no. IECEX BAS 12.0093X. Certified to: IEC 60079-0, IEC 60079-11. Ex ia IIC T4 Ga, Ex ia IIIC T135°C Da.
UL:	Listing no. E186629 UL listed to Class 1, Div 2. Groups A – D. UL listed for Ordinary Locations. Listing no. S8117
CUTR Ex de:	2Ex de IIC T6 Gb (switch only), 2Ex de mb IIC T4 (other versions). Russian Fire Approved.
CUTR Ex ia:	0Ex ia IICT4. Russian Fire Approved.
Inmetro Ex de:	Ex de mb IIC T4 Gb, Ex de IIC T6 Gb.
Inmetro Ex ia:	Ex ia IIC T4 Ga.
CQST Ex de:	Ex de IICT6 (switch only), Ex de m IICT4 (other versions).
CQST Ex ia:	Ex ia IIC T4.
SIL:	SIL 2 certified to IEC 61508. Cert no. Sira 11013
Type Apps:	American Bureau of Shipping type approval (ABS).
Material:	Anti-static UV resistant glass reinforced polyester.
Finish:	Red painted finish as standard or to customer specification.
Voltage:	Up to 254V a.c. Up to 28V d.c.
Weight:	1.2 kg. (Varies with models and entries).
Ingress Protection:	IP66 & IP67.
Entries:	Up to 4 entries, M16 or M20 top and bottom (1/2" NPT available on UL version).
Terminals:	6 x 2.5mm ² – standard (BGUL only). 7 x 2.5mm ² – standard. 9 x 2.5mm ² optional – up to 60V only.
Resistors:	Various configurations available on versions up to 24V and all 'IS' versions. (Minimum Resistor value 100ΩPBE/BGE, 470ΩPBI/BGI).
Earth Continuity:	Internal and external earth continuity is provided with an optional earth plate.
LED Indication:	A high intensity red LED can be fitted as an optional extra to indicate operation on versions up to 24V and all 'IS' versions.
Labelling:	BG Glass label – reads either (1) Fire Break glass – press here. (2) Break glass – press here. (3) Worded to customer requirements. (7) Dot and arrows – no text. Duty label – worded to customer requirements. Riveted on. Tag label – worded to customer requirements. Screwed on.
Switch Ratings:	d.c. 0-30v 5A (resistive) or 3A (inductive) (1 or 2 changeover switches fitted) 30-50v 1A (resistive or inductive) a.c. 0-254V 5A (resistive or Inductive)



Temperature

Model	BGW	BGUL	BGE	BGI
	-40°C to +70°C	-25°C to +55°C†	-40°C to +70°C*	-40°C to +70°C

* -35°C to +70°C with LED, -20°C to +50°C for Inmetro.
† -25°C to +50°C With resistors or LED fitted.

Ordering Requirements

The following code is designed to help in selection of the correct unit. Build up the reference number by inserting the code for each component into the appropriate box.

Model	Certification	Entries	Labels	Voltage	Switches	Options	Terminals	Finish																																																																							
BG																																																																															
<table border="1"> <thead> <tr> <th>Entries</th> <th>Code</th> </tr> </thead> <tbody> <tr> <td>M16</td> <td>*A</td> </tr> <tr> <td>M20</td> <td>*B</td> </tr> <tr> <td>1/2" NPT</td> <td>*C</td> </tr> </tbody> </table>		Entries	Code	M16	*A	M20	*B	1/2" NPT	*C	<table border="1"> <thead> <tr> <th>Label</th> <th>Code</th> </tr> </thead> <tbody> <tr> <td>None</td> <td>0</td> </tr> <tr> <td>Glass label (1) reqd.</td> <td>1</td> </tr> <tr> <td>Glass label (2) reqd.</td> <td>2</td> </tr> <tr> <td>Glass label (3) reqd.</td> <td>3*</td> </tr> <tr> <td>Duty label reqd.</td> <td>4*</td> </tr> <tr> <td>Tag label reqd.</td> <td>5*</td> </tr> <tr> <td>Glass label (7) reqd.</td> <td>7</td> </tr> </tbody> </table> <p>* Specify wording on 3, 4 or 5 as required.</p>		Label	Code	None	0	Glass label (1) reqd.	1	Glass label (2) reqd.	2	Glass label (3) reqd.	3*	Duty label reqd.	4*	Tag label reqd.	5*	Glass label (7) reqd.	7	<table border="1"> <thead> <tr> <th>Switches</th> <th>Code</th> </tr> </thead> <tbody> <tr> <td>Single changeover</td> <td>S</td> </tr> <tr> <td>Double changeover</td> <td>D</td> </tr> </tbody> </table>		Switches	Code	Single changeover	S	Double changeover	D	<table border="1"> <thead> <tr> <th>Options</th> <th>Code</th> </tr> </thead> <tbody> <tr> <td>None</td> <td>N</td> </tr> <tr> <td>LED</td> <td>A</td> </tr> <tr> <td>Lift flap</td> <td>B</td> </tr> <tr> <td>Resistor series</td> <td>C*</td> </tr> <tr> <td>Resistor EOL</td> <td>D*</td> </tr> <tr> <td>Diode</td> <td>E†</td> </tr> <tr> <td>Earth continuity</td> <td>F</td> </tr> <tr> <td>Resistor series and EOL</td> <td>S*†</td> </tr> <tr> <td>Plastic element replaces</td> <td>P</td> </tr> <tr> <td>Break glass</td> <td></td> </tr> <tr> <td>Break glass hammer</td> <td>H</td> </tr> </tbody> </table> <p>* Specify values † Choose for BGE only - on the BGI/W, choose C & D. ‡ Not available for UL versions.</p>		Options	Code	None	N	LED	A	Lift flap	B	Resistor series	C*	Resistor EOL	D*	Diode	E†	Earth continuity	F	Resistor series and EOL	S*†	Plastic element replaces	P	Break glass		Break glass hammer	H	<table border="1"> <thead> <tr> <th>Finish</th> <th>Code</th> </tr> </thead> <tbody> <tr> <td>Red (standard)</td> <td>R</td> </tr> <tr> <td>Natural Black</td> <td>N</td> </tr> <tr> <td>Blue</td> <td>B</td> </tr> <tr> <td>Yellow</td> <td>Y</td> </tr> <tr> <td>Grey</td> <td>G</td> </tr> <tr> <td>Yellow/Black stripes</td> <td>X</td> </tr> <tr> <td>Special</td> <td>S*</td> </tr> </tbody> </table> <p>* Please specify</p>		Finish	Code	Red (standard)	R	Natural Black	N	Blue	B	Yellow	Y	Grey	G	Yellow/Black stripes	X	Special	S*
Entries	Code																																																																														
M16	*A																																																																														
M20	*B																																																																														
1/2" NPT	*C																																																																														
Label	Code																																																																														
None	0																																																																														
Glass label (1) reqd.	1																																																																														
Glass label (2) reqd.	2																																																																														
Glass label (3) reqd.	3*																																																																														
Duty label reqd.	4*																																																																														
Tag label reqd.	5*																																																																														
Glass label (7) reqd.	7																																																																														
Switches	Code																																																																														
Single changeover	S																																																																														
Double changeover	D																																																																														
Options	Code																																																																														
None	N																																																																														
LED	A																																																																														
Lift flap	B																																																																														
Resistor series	C*																																																																														
Resistor EOL	D*																																																																														
Diode	E†																																																																														
Earth continuity	F																																																																														
Resistor series and EOL	S*†																																																																														
Plastic element replaces	P																																																																														
Break glass																																																																															
Break glass hammer	H																																																																														
Finish	Code																																																																														
Red (standard)	R																																																																														
Natural Black	N																																																																														
Blue	B																																																																														
Yellow	Y																																																																														
Grey	G																																																																														
Yellow/Black stripes	X																																																																														
Special	S*																																																																														
<table border="1"> <thead> <tr> <th>Certification</th> <th>Code</th> </tr> </thead> <tbody> <tr> <td>ATEX/CENELEC - Ex de</td> <td>EB</td> </tr> <tr> <td>ATEX/CENELEC - Ex ia</td> <td>IB</td> </tr> <tr> <td>IECEX - Ex ia</td> <td>IJ</td> </tr> <tr> <td>UL - Listed</td> <td>UL</td> </tr> <tr> <td>UL - Ordinary Locations</td> <td>UW</td> </tr> <tr> <td>CUTR - Exi</td> <td>IG</td> </tr> <tr> <td>CUTR - Ex de</td> <td>EG</td> </tr> <tr> <td>CQST - Ex ed</td> <td>EQ†</td> </tr> <tr> <td>CQST - Exi</td> <td>IQ†</td> </tr> <tr> <td>Inmetro - Ex ed</td> <td>EM</td> </tr> <tr> <td>Inmetro - Exi</td> <td>IM</td> </tr> <tr> <td>Uncertified*</td> <td>WN</td> </tr> </tbody> </table> <p>* Prefix entry size (see diagram above) with entry position code e.g. 4B6B. UL versions only available with 1/2" NPT entries.</p>		Certification	Code	ATEX/CENELEC - Ex de	EB	ATEX/CENELEC - Ex ia	IB	IECEX - Ex ia	IJ	UL - Listed	UL	UL - Ordinary Locations	UW	CUTR - Exi	IG	CUTR - Ex de	EG	CQST - Ex ed	EQ†	CQST - Exi	IQ†	Inmetro - Ex ed	EM	Inmetro - Exi	IM	Uncertified*	WN	<table border="1"> <thead> <tr> <th>Voltage</th> <th>Code</th> </tr> </thead> <tbody> <tr> <td>a.c.</td> <td>A</td> </tr> <tr> <td>d.c.</td> <td>D</td> </tr> </tbody> </table>		Voltage	Code	a.c.	A	d.c.	D	<table border="1"> <thead> <tr> <th>Terminals</th> <th>Code</th> </tr> </thead> <tbody> <tr> <td>6 x 2.5mm (UL standard)</td> <td>6*</td> </tr> <tr> <td>7 x 2.5mm (standard)</td> <td>7</td> </tr> <tr> <td>9 x 2.5mm (optional)</td> <td>9</td> </tr> </tbody> </table> <p>* BGUL only available with six terminals</p>		Terminals	Code	6 x 2.5mm (UL standard)	6*	7 x 2.5mm (standard)	7	9 x 2.5mm (optional)	9																																		
Certification	Code																																																																														
ATEX/CENELEC - Ex de	EB																																																																														
ATEX/CENELEC - Ex ia	IB																																																																														
IECEX - Ex ia	IJ																																																																														
UL - Listed	UL																																																																														
UL - Ordinary Locations	UW																																																																														
CUTR - Exi	IG																																																																														
CUTR - Ex de	EG																																																																														
CQST - Ex ed	EQ†																																																																														
CQST - Exi	IQ†																																																																														
Inmetro - Ex ed	EM																																																																														
Inmetro - Exi	IM																																																																														
Uncertified*	WN																																																																														
Voltage	Code																																																																														
a.c.	A																																																																														
d.c.	D																																																																														
Terminals	Code																																																																														
6 x 2.5mm (UL standard)	6*																																																																														
7 x 2.5mm (standard)	7																																																																														
9 x 2.5mm (optional)	9																																																																														

All specifications, dimensions, weights and tolerances are nominal (typical) and MEDC reserve the right to vary all data without prior notice. No liability is accepted for any consequence of use.



Ex de, Intrinsically Safe (Ex ia), Weatherproof



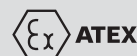
Introduction

This manual fire alarm call point has been designed for use in flammable atmospheres and harsh environmental conditions. The GRP enclosure is suitable for use offshore or onshore where lightweight combined with a high level of corrosion resistance is required.

Features

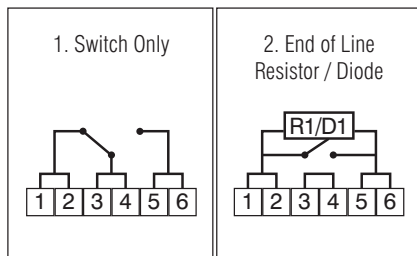
- Zone 0, Zone 1 and Zone 2 use.
- Ex de, Ex ia or weatherproof.
- ATEX approved – Ex II 1GD (Ex ia).
– Ex II 2G (Ex de).
- BASEEFA certified.
- IP66 and IP67.
- Certified temperature: –40°C to +70°C*.
- Corrosion resistant red painted GRP.
- Retained stainless steel cover screws.
- Optional lift flap.
- Key operated test facility.
- Lightweight and robust.
- Breakglass hammer available.
(Contact sales office for details).

*Depending on version.

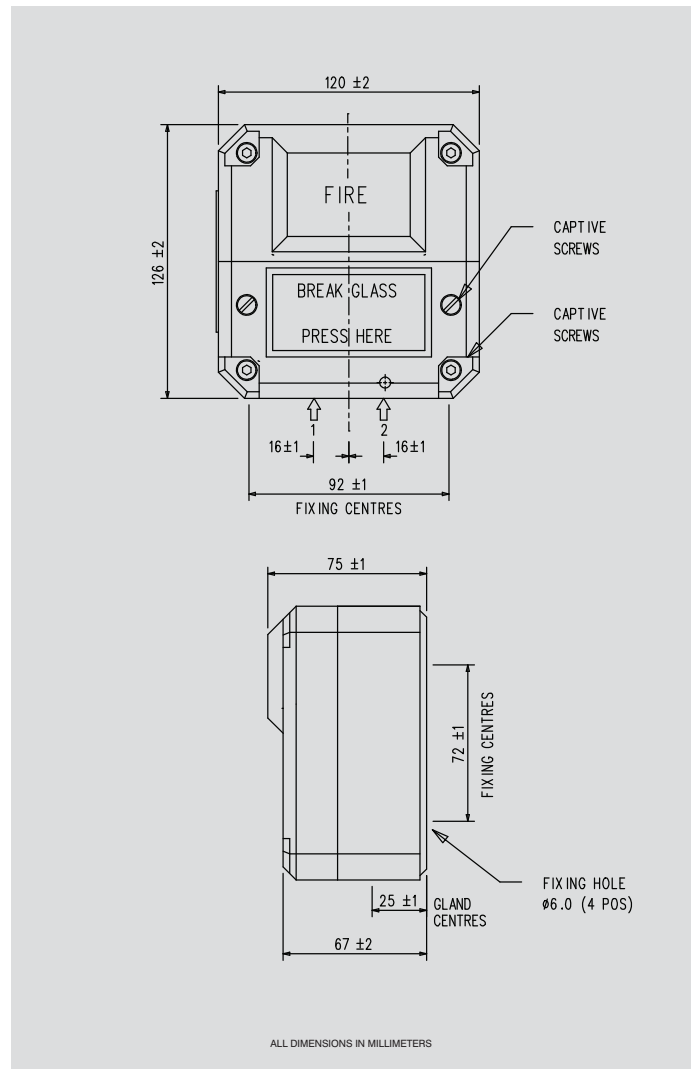
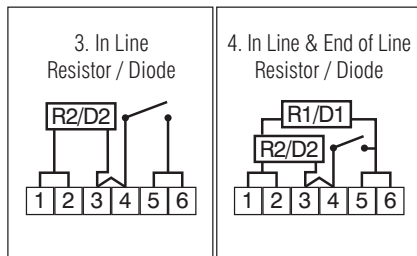


Certification and Specification

ATEX Ex de:	Cert. no. BAS02ATEX2105X. ATEX Approved Ex II 2G. Certified to: EN60079-0, EN60079-1, EN60079-7. Ex de IIC T6 Gb switch only. Ex de mb IIC T4 Gb with resistors & diodes.
ATEX Ex ia:	Cert no. Baseefa 03ATEX0084X. ATEX Approved Ex II 1GD. Certified to: EN60079-0, EN60079-11. Ex ia IIC T4 Ga, Ex ia IIIC T135°C Da.
IECEx Ex ia:	Cert. no. IECEx BAS 12.0093X. Certified to: IEC 60079-0, IEC 60079-11. Ex ia IIC T4 Ga, Ex ia IIIC T135°C Da.
Material:	Anti static UV resistant Glass Reinforced Polyester.
Finish:	Painted Red.
Certified Temp:	-40°C to +70°C.
Voltage:	Up to 254V a.c. (Ex ia - Up to 28V d.c.).
Weight:	1.2Kg.
Ingress Protection:	IP66 & IP67.
Cable Entries:	2 x M20 bottom.
Terminals:	6 x 2.5mm ² .
Resistor Values:	Ex de - 100Ω minimum, 39KΩ maximum. Ex ia - 470Ω minimum.
Switch ratings:	d.c. 0-30V 5A (resistive) or 3A (inductive). 30V-50V 1A resistive or inductive. a.c. 0-254V 5A resistive or inductive.



ALL CIRCUITS SHOWN WITH GLASS INTACT



Ordering Requirements

The following code is designed to help in selection of the correct unit. Build up the reference number by inserting the code for each component into the appropriate box.

Model	Options	Flap	Finish																																
<table border="1"> <thead> <tr> <th>Model</th> <th>Code</th> </tr> </thead> <tbody> <tr> <td>BG2W – a.c. or d.c.</td> <td>BG2WNN</td> </tr> <tr> <td>BG2I – Up to 28V (I.S.)</td> <td>BG2INN</td> </tr> <tr> <td>BG2E – d.c.</td> <td>BG2EDC</td> </tr> <tr> <td>BG2E – a.c.</td> <td>BG2EAC</td> </tr> </tbody> </table>	Model	Code	BG2W – a.c. or d.c.	BG2WNN	BG2I – Up to 28V (I.S.)	BG2INN	BG2E – d.c.	BG2EDC	BG2E – a.c.	BG2EAC	<table border="1"> <thead> <tr> <th>Options</th> <th>Code</th> </tr> </thead> <tbody> <tr> <td>Switch only</td> <td>1</td> </tr> <tr> <td>End of line resistor</td> <td>2*</td> </tr> <tr> <td>In line resistor</td> <td>3*</td> </tr> <tr> <td>In line and end of line resistor</td> <td>4*</td> </tr> <tr> <td>Diode (specify location & value)</td> <td>5</td> </tr> </tbody> </table>	Options	Code	Switch only	1	End of line resistor	2*	In line resistor	3*	In line and end of line resistor	4*	Diode (specify location & value)	5	<table border="1"> <thead> <tr> <th>Flap</th> <th>Code</th> </tr> </thead> <tbody> <tr> <td>Fitted</td> <td>F*</td> </tr> <tr> <td>Not Fitted</td> <td>N</td> </tr> </tbody> </table>	Flap	Code	Fitted	F*	Not Fitted	N	<table border="1"> <thead> <tr> <th>Finish</th> <th>Code</th> </tr> </thead> <tbody> <tr> <td>Red Painted</td> <td>R</td> </tr> </tbody> </table>	Finish	Code	Red Painted	R
Model	Code																																		
BG2W – a.c. or d.c.	BG2WNN																																		
BG2I – Up to 28V (I.S.)	BG2INN																																		
BG2E – d.c.	BG2EDC																																		
BG2E – a.c.	BG2EAC																																		
Options	Code																																		
Switch only	1																																		
End of line resistor	2*																																		
In line resistor	3*																																		
In line and end of line resistor	4*																																		
Diode (specify location & value)	5																																		
Flap	Code																																		
Fitted	F*																																		
Not Fitted	N																																		
Finish	Code																																		
Red Painted	R																																		

* Polycarbonate lift flap.

* Specify resistor values.

Intrinsically Safe (Exia), Weatherproof



Features

- Zone 0, Zone 1 and Zone 2 use.
- Exia IIC T4.
- ATEX Approved Ex II 1 G.
- BASEEFA certified.
- Chinese (CQST) certified.
- Designed in accordance with EN54-11.
- IP66 and IP67.
- Certified temperature: -55°C to +55°C.
- Corrosion free GRP.
- Optional in line/end of line resistors/diodes.
- Optional LED indicator.
- Optional lift flap.
- Key operated test facility.
- Various body colours available.

Introduction

This manual fire alarm call point has been designed in accordance with the latest draft European Call Point Standard (EN54-11).

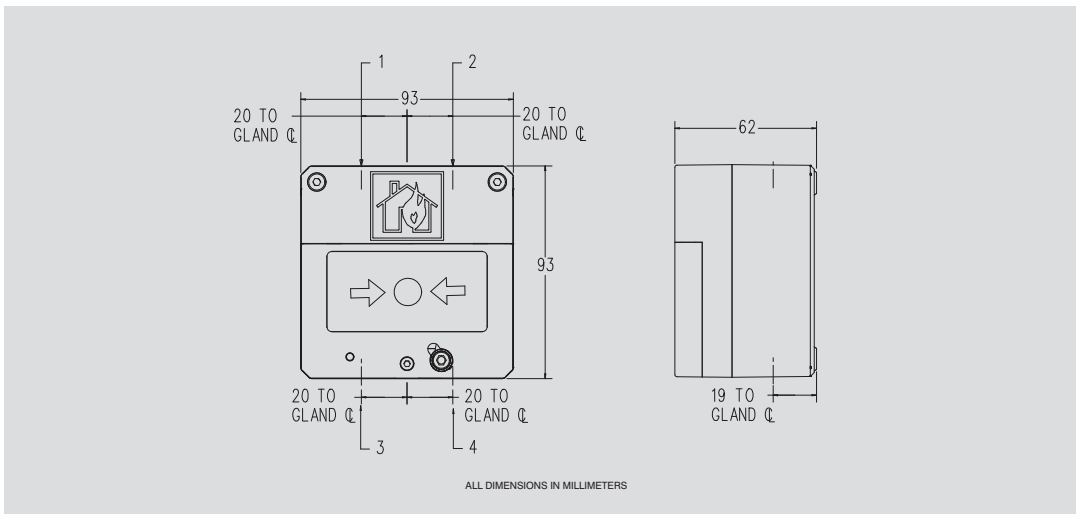
Weatherproof to IP66 and IP67 and available certified intrinsically safe, simple apparatus or uncertified. The units are manufactured from glass reinforced polyester (GRP) which provides a robust, corrosion free construction and ensures effective and reliable operation in harsh industrial and offshore environments.

Units are supplied in natural red GRP or painted to customer specification. 'Burning House' duty label is provided as standard, other duty and tag labels may be supplied to customer specification.



Certification and Specification

	BG3I	BG3W
Protection:	Explosion Protected Exi (Intrinsically Safe)	Dust-tight & Weatherproof
Certification:	CENELEC EN50014, 020 BASEEFA Exia IIC T4 Cert No. BAS00ATEX1067X Suitable for use in Zones 0, 1 & 2 Chinese Certification CQST – Exia IIC T4†	Not applicable
Voltage:	Up to 28V (IS)	Up to 250V a.c.
Certified Temperature:	-55°C to +55°C	Not applicable
Ingress protection:	IP66 & IP67	IP66 & IP67
European Standard for Call Points:	EN54-11	EN54-11
Terminals:	6 x 4.0mm ²	6 x 4.0mm ²
Switch Ratings:	Not Applicable	d.c. 0V - 30V 3A resistive or inductive 30V - 50V 1A resistive or inductive a.c. 0 - 250V 3A resistive or inductive
Resistor Values:	470R Minimum	270R Minimum
Cable Entries:	2 x M20 top or bottom	2 x M20 top or bottom
Weight:	0.5Kg	0.5Kg
Material:	UV resistant glass reinforced polyester	UV resistant glass reinforced polyester
Finish:	Natural Red GRP or Painted GRP to Customer requirements	Natural Red GRP or Painted GRP to Customer requirements
Duty/Tag Labels:	Stainless steel as standard	Plastic as standard



Ordering Requirements

The following code is designed to help in selection of the correct unit. Build up the reference number by inserting the code for each component into the appropriate box.

Model	Certification	Labels	Options	Entries	Finish																																																																		
BG3																																																																							
	<table border="1"> <thead> <tr> <th>Certification</th> <th>Code</th> </tr> </thead> <tbody> <tr> <td>Weatherproof</td> <td>W</td> </tr> <tr> <td>Exia</td> <td>I</td> </tr> <tr> <td>Chinese (CQST)</td> <td>Q†</td> </tr> </tbody> </table> <p>† Not suitable for use in China on fire alarm systems.</p>	Certification	Code	Weatherproof	W	Exia	I	Chinese (CQST)	Q†	<table border="1"> <thead> <tr> <th>Label</th> <th>Code</th> </tr> </thead> <tbody> <tr> <td>Glass Label</td> <td></td> </tr> <tr> <td>Fire Break Glass 'Press Here'</td> <td>1</td> </tr> <tr> <td>Break Glass 'Press Here'</td> <td>2</td> </tr> <tr> <td>Special</td> <td>3*</td> </tr> <tr> <td>European Standard ⇌</td> <td>4</td> </tr> <tr> <td>Duty Label (special)</td> <td>5*</td> </tr> <tr> <td>Burning House as standard</td> <td></td> </tr> <tr> <td>Tag Label</td> <td>6*</td> </tr> </tbody> </table> <p>* Specify wording.</p>	Label	Code	Glass Label		Fire Break Glass 'Press Here'	1	Break Glass 'Press Here'	2	Special	3*	European Standard ⇌	4	Duty Label (special)	5*	Burning House as standard		Tag Label	6*	<table border="1"> <thead> <tr> <th>Options</th> <th>Code</th> </tr> </thead> <tbody> <tr> <td>None</td> <td>N</td> </tr> <tr> <td>Resistor Series</td> <td>S*</td> </tr> <tr> <td>Resistor EOL</td> <td>E*</td> </tr> <tr> <td>Diode</td> <td>D</td> </tr> <tr> <td>Polycarbonate Lift flap</td> <td>F</td> </tr> <tr> <td>Stainless steel Lift flap</td> <td>C</td> </tr> <tr> <td>LED</td> <td>L</td> </tr> <tr> <td>Double Changeover</td> <td>T</td> </tr> <tr> <td>Plastic Element (replaces break glass)</td> <td>P</td> </tr> </tbody> </table> <p>* Please specify.</p>	Options	Code	None	N	Resistor Series	S*	Resistor EOL	E*	Diode	D	Polycarbonate Lift flap	F	Stainless steel Lift flap	C	LED	L	Double Changeover	T	Plastic Element (replaces break glass)	P	<table border="1"> <thead> <tr> <th>Entries</th> <th>Code</th> </tr> </thead> <tbody> <tr> <td>2 x M20 (bottom)</td> <td>B</td> </tr> <tr> <td>2 x M20 (top)</td> <td>T</td> </tr> </tbody> </table> <p>For blanking plugs add "P" to code. e.g. BP, 2 x M20 bottom entries with one blanking plug.</p>	Entries	Code	2 x M20 (bottom)	B	2 x M20 (top)	T	<table border="1"> <thead> <tr> <th>Finish</th> <th>Code</th> </tr> </thead> <tbody> <tr> <td>Natural Red</td> <td>R</td> </tr> <tr> <td>Blue</td> <td>B</td> </tr> <tr> <td>Green</td> <td>G</td> </tr> <tr> <td>White</td> <td>W</td> </tr> <tr> <td>Yellow</td> <td>Y</td> </tr> <tr> <td>Special</td> <td>S*</td> </tr> </tbody> </table> <p>* Please specify.</p>	Finish	Code	Natural Red	R	Blue	B	Green	G	White	W	Yellow	Y	Special	S*
Certification	Code																																																																						
Weatherproof	W																																																																						
Exia	I																																																																						
Chinese (CQST)	Q†																																																																						
Label	Code																																																																						
Glass Label																																																																							
Fire Break Glass 'Press Here'	1																																																																						
Break Glass 'Press Here'	2																																																																						
Special	3*																																																																						
European Standard ⇌	4																																																																						
Duty Label (special)	5*																																																																						
Burning House as standard																																																																							
Tag Label	6*																																																																						
Options	Code																																																																						
None	N																																																																						
Resistor Series	S*																																																																						
Resistor EOL	E*																																																																						
Diode	D																																																																						
Polycarbonate Lift flap	F																																																																						
Stainless steel Lift flap	C																																																																						
LED	L																																																																						
Double Changeover	T																																																																						
Plastic Element (replaces break glass)	P																																																																						
Entries	Code																																																																						
2 x M20 (bottom)	B																																																																						
2 x M20 (top)	T																																																																						
Finish	Code																																																																						
Natural Red	R																																																																						
Blue	B																																																																						
Green	G																																																																						
White	W																																																																						
Yellow	Y																																																																						
Special	S*																																																																						

All specifications, dimensions, weights and tolerances are nominal (typical) and MEDC reserve the right to vary all data without prior notice. No liability is accepted for any consequence of use.

